



Development Bank of the Philippines

May 6, 2019

FOR : **VP ZANDRO CARLOS P. SISON**
Head, Corporate Affairs Department

FROM : The Secretariat, RBAC BBG-CL

SUBJECT : **Request for Posting in the Bank's Website**

We would like to request assistance for the posting in the Bank's website and conspicuous places within the Bank's premises of the attached Request for Quotation, Technical Descriptions & Specifications and PhilGEPS Bid Notice Abstract for the Construction of an Off-Site ATM Vestibule (Window-Type) at the Municipality of Mexico, Pampanga for DBP San Fernando Pampanga Branch for the period covered **May 6-14, 2019**.

Thank you.


MGR. DONNA B. DIWA

Att. : a/s



Development Bank of the Philippines

Name of Project: Off-site ATM Vestibule (Window-Type)

Location: Municipality of Mexico
Parten, Mexico, Pampanga

REQUEST FOR QUOTATION

Date: 6 May 19

Please quote your lowest price based on the project described below. Submitted quotations must be duly signed by the vendor's representative and must be sent to the BAC Secretariat not later than 5:00 P.M. of 14 May 2019 at DBP BBG-CL Office, Ground Floor Doña Isa Fel Bldg., Dolores, City of San Fernando, Pampanga.

Approved By:

AVP MA. CRISTINA S. PIMPINO
BAC Chairman

- Note:**
- All entries must be type written.
 - All quotations must be inclusive of all taxes and other charges.
 - All suppliers/vendors are mandated to register with the PhilGEPS and provide a PhilGEPS Registration number as a condition for award of the contract.

Other documentary requirements for each vendor shall be as follows:

- Mayor's/Business Permit;
- Philgeps Registration
- PCAB License
- Income Tax Return for the current year/ Business Tax Returns for the past 6 months

and

- 1. For suppliers/vendors whose representatives are the official signatory of the documents/requirements: please submit a duly notarized Omnibus Sworn Statement

OR

- 2. For suppliers/vendors who will appoint or designate their duly authorized representative: please submit the following notarized statements:

(If the supplier/vendor is a Sole Proprietorship)

- Duly notarized Special Power of Attorney
- and
- Duly notarized Omnibus Sworn Statement

(If the supplier/vendor is a Corporation)

- Duly notarized Secretary's Certificate
- and
- Duly notarized Omnibus Sworn Statement

Item No	QTY	UNIT	ITEM DESCRIPTION	UNIT PRICE	TOTAL
1	1	Lot	Off-site ATM Vestibule (Window Type) per attached technical description and specifications.	Php. _____	Php. _____
			*****Nothing follows*****		
TOTAL AMOUNT:				----- >>>>>	Php. _____

After having carefully read and accepted your General Conditions, I quote you on the items and prices noted above.

Signatur Above Printed Name

Tel. No./Cellphone No.

Date

*For inquiries, you may reach the BAC Secretariat at contact no (045) 963-1231



PhilGEPS
Philippine Government Electronic Procurement System

Central Portal for
Philippine Government
Procurement Opportunities

Bid Notice Abstract

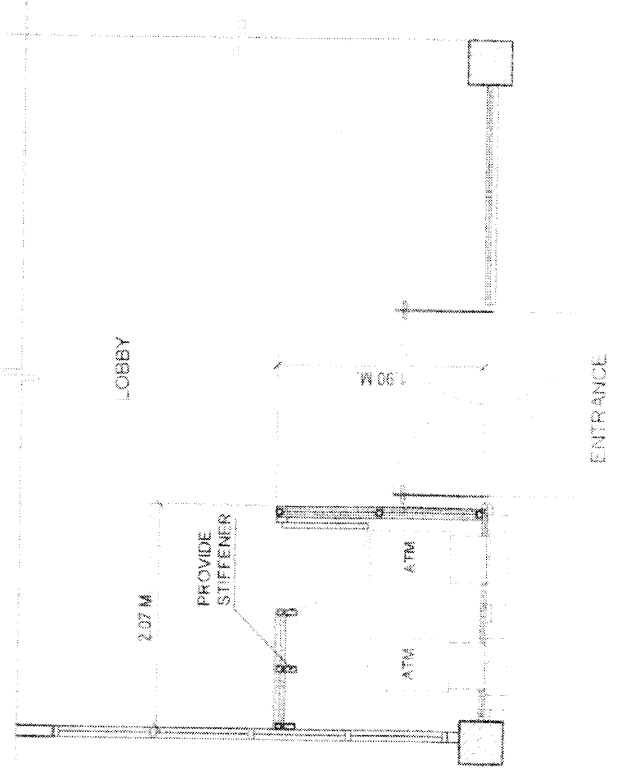
Request for Quotation (RFQ)

Reference Number 6177080
Procuring Entity DEVELOPMENT BANK OF THE PHILIPPINES - CENTRAL LUZON
Title CONSTRUCTION OF AN OFF-SITE ATM VESTIBULE (WINDOW-TYPE) AT THE MUNICIPALITY OF MEXICO, PAMPANGA
Area of Delivery Pampanga

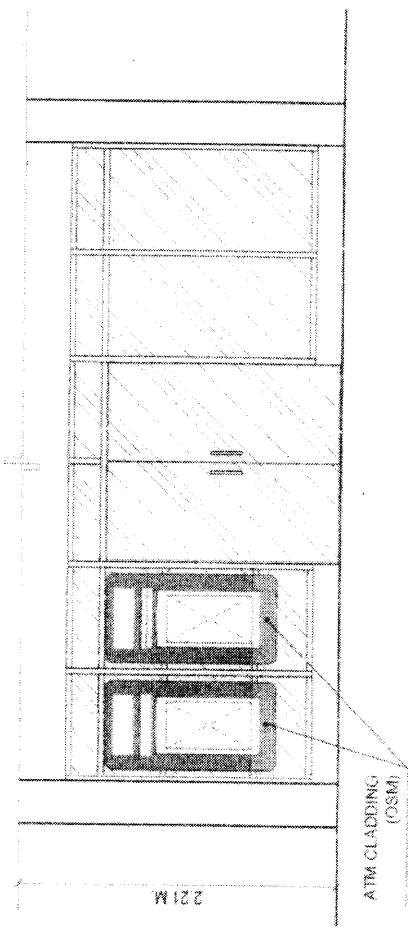
Solicitation Number:	2019-005	Status	Pending
Trade Agreement:	Implementing Rules and Regulations	Associated Components	3
Procurement Mode:	Negotiated Procurement - Small Value Procurement (Sec. 53.9)	Bid Supplements	0
Classification:	Civil Works	Document Request List	0
Category:	Construction Projects	Date Published	06/05/2019
Approved Budget for the Contract:	PHP 150,000.00	Last Updated / Time	03/05/2019 20:06 PM
Delivery Period:	30 Day/s	Closing Date / Time	14/05/2019 17:00 PM
Client Agency:			
Contact Person:	Donna Bondoc Diwa BAC Secretariat Mc Arthur Hi-way, Dolores San Fernando City Pampanga Philippines 2000 63-045-9631231 dbdiwa@dbp.ph		
Description			
CONSTRUCTION OF AN OFF-SITE ATM VESTIBULE (WINDOW-TYPE) AT THE MUNICIPALITY OF MEXICO, PAMPANGA WHICH WILL HOUSE THE TWO (2) UNITS WINDOW TYPE ATMs.			
*** PLEASE SEE ATTACHED REQUEST FOR QUOTATION, DESCRIPTION & QUANTITY OF MATERIALS, WORKS & SPECIFICATIONS ***			
Other Information			
FOR ANY QUERIES OR OTHER INFORMATION NEEDED PLEASE CONTACT: SM RYANNA T. BULATAO DBP SAN FERNANDO PAMPANGA BRANCH DOÑA ISA FEL BLDG. DOLORES, CITY OF SAN FERNANDO, PAMPANGA			
TELEPHONE NOS. (045) 961-0003, 961-8059, 961-5674			

Created by Donna Bondoc Diwa
Date Created 03/05/2019

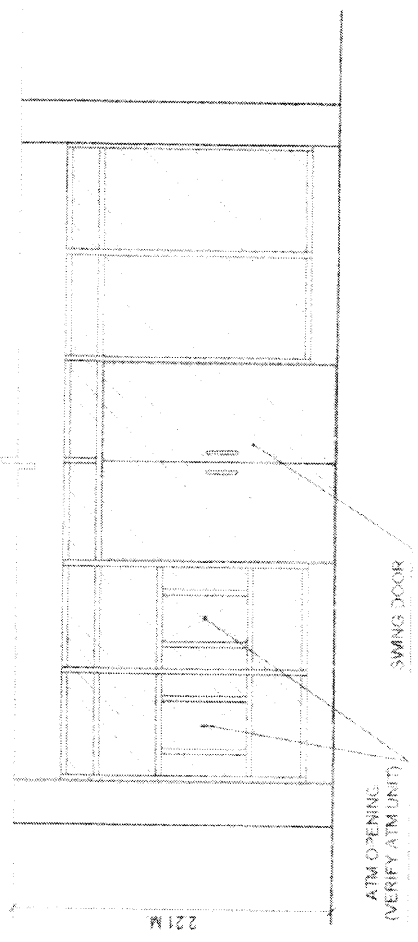
The PhilGEPS team is not responsible for any typographical errors or misinformation presented in the system. PhilGEPS only displays information provided for by its clients, and any queries regarding the postings should be directed to the contact person/s of the concerned party.



1 FLOOR PLAN
A-1 NOT TO SCALE



2 FRONT ELEVATION
A-1 NOT TO SCALE



3 ATM WINDOW OPENING
A-1 NOT TO SCALE

PROJECT TITLE

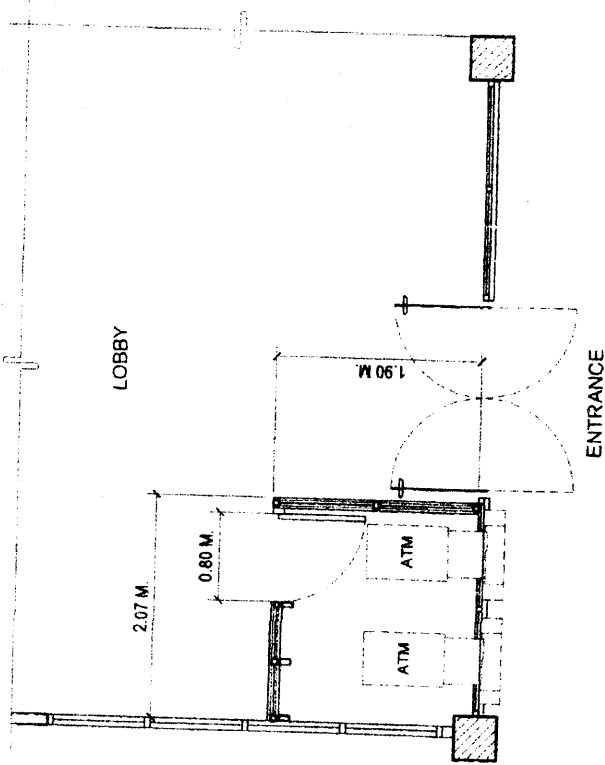
PROPOSED OFF-SITE ATM VESTIBULE (WALL TYPE) AT MEXICO, PAMPANGA

LOCATION MUNICIPALITY OF MEXICO, PAMPANGA

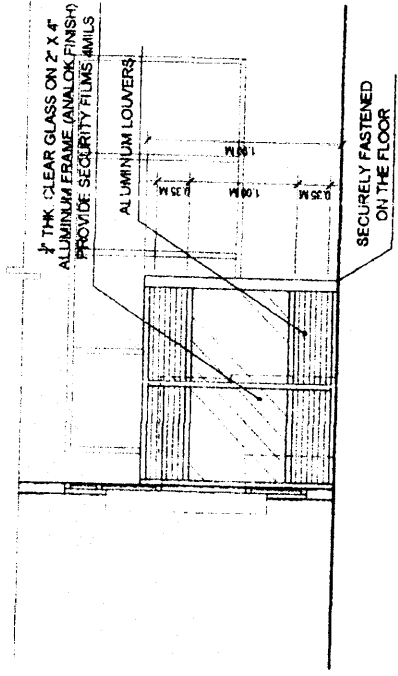
SHEET NO

A
1

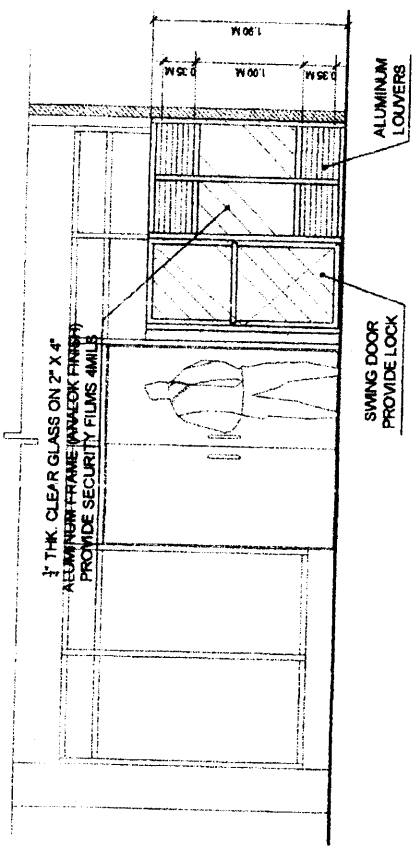




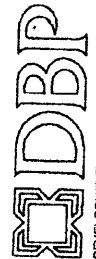
1 FLOOR PLAN
A-2 NOT TO SCALE



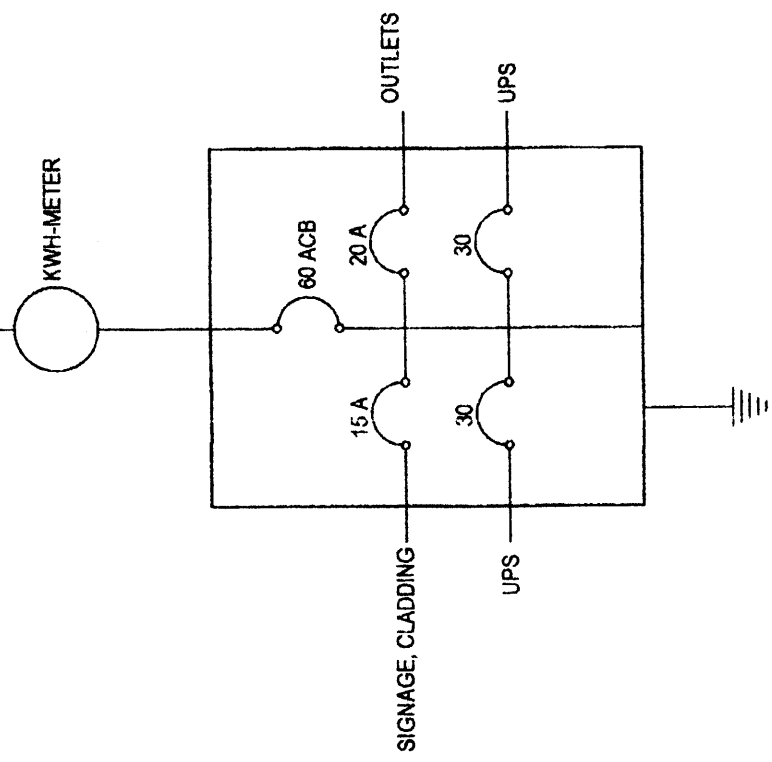
2 RIGHT-SIDE ELEVATION
A-2 NOT TO SCALE



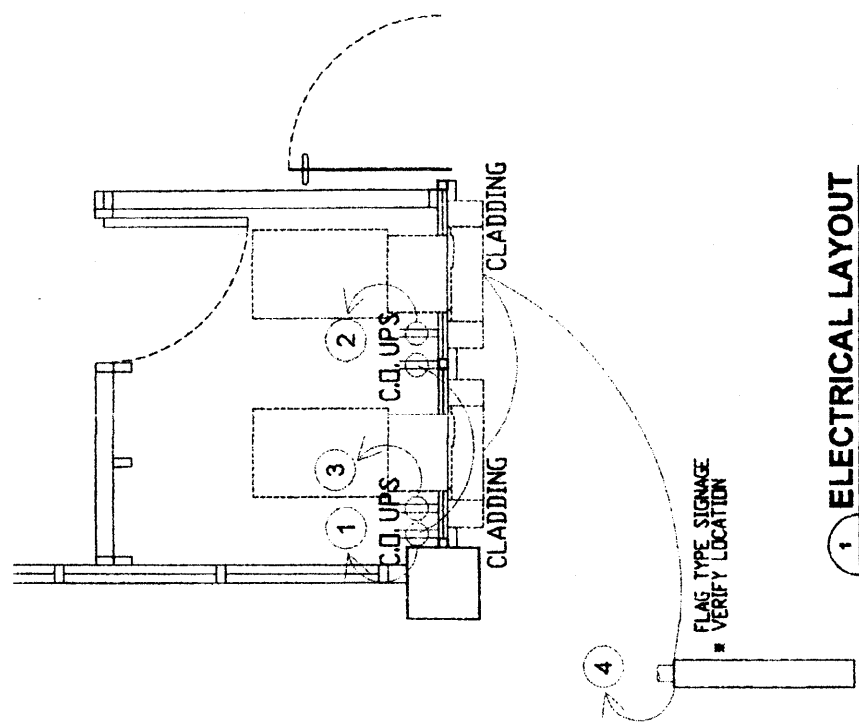
3 REAR ELEVATION
A-2 NOT TO SCALE

 <p>DEVELOPMENT BANK OF THE PHILIPPINES</p>	<p>PROJECT TITLE:</p> <p>PROPOSED OFF-SITE ATM VESTIBULE (WALL TYPE) AT MEXICO, PAMPANGA</p>	<p>SHEET NO:</p> <p>A 2</p>
	<p>LOCATION:</p> <p>MUNICIPALITY OF MEXICO, PAMPANGA</p>	

POWER SUPPLY
(BUILDING)
2 # 8.0 MM² THHN @ 25 MM Ø PVC OR EMT
1 # 3.5 MM²



1 A-3 NOT TO SCALE
2 RISER DIAGRAM TO SCALE



1 A-3 NOT TO SCALE
ELECTRICAL LAYOUT TO SCALE

SHEET NO:

A
3

PROJECT TITLE:

PROPOSED OFF-SITE ATM VESTIBULE (WALL TYPE) AT MEXICO, PAMPANGA

LOCATION: MUNICIPALITY OF MEXICO, PAMPANGA

